

NU-GUARD SC3-P



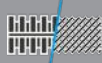
NU-GUARD SC3-P



Mechanical & Abrasion Protection
Noise Reduction



Self-Closing Sleeving



Knitted



PET monofilament
Texturized multifilament



Standard: Black with brown stripe



Low: -40°C (-40°F)
High: 150°C (302°F)



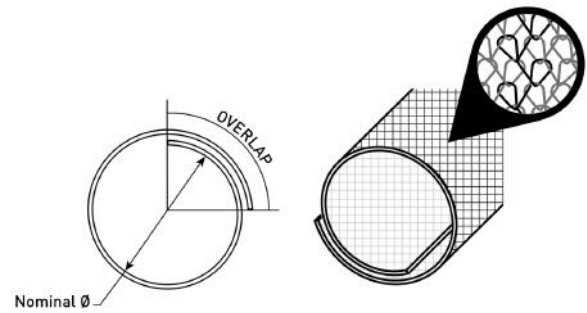
Low abrasion resistance
Noise reduction >10 dB

PHYSICAL PROPERTIES

| Physical properties | Spec | Value |
|-------------------------------|---|--------------------|
| Long term aging (3000h/150°C) | - | pass |
| Short term aging (240h/175°C) | - | pass |
| Abrasion resistance | GMW 14327 | category 2 |
| Noise reduction | GMW 14327 | class C |
| Flammability | FMVSS 302 | self-extinguishing |
| Chemical resistance | Resists the majority of chemicals and automotive fluids | |

DIMENSIONS

| Designation | Nominal Ø (mm) | Functional Ø (mm) |
|-------------------|----------------|-------------------|
| NU-GUARD SC3-P 05 | 5 | 4 - 5 |
| NU-GUARD SC3-P 08 | 8 | 6 - 8 |
| NU-GUARD SC3-P 10 | 10 | 9 - 10 |
| NU-GUARD SC3-P 13 | 13 | 11 - 13 |
| NU-GUARD SC3-P 16 | 16 | 14 - 16 |
| NU-GUARD SC3-P 19 | 19 | 17 - 19 |
| NU-GUARD SC3-P 25 | 25 | 20 - 25 |
| NU-GUARD SC3-P 29 | 29 | 26 - 29 |
| NU-GUARD SC3-P 32 | 32 | 30 - 32 |
| NU-GUARD SC3-P 38 | 38 | 33 - 38 |



APPROVALS

Direct:
Chrysler

Via Tier-1:
General Motors

PACKAGING

Coils
Cut lengths upon request